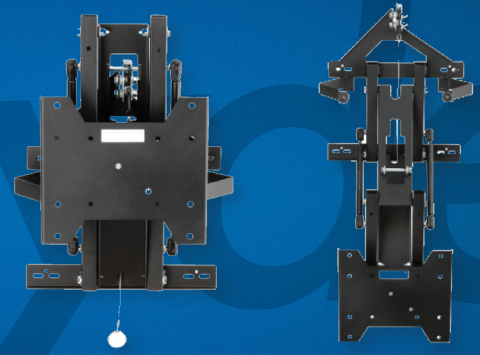


TV56-129H

TELEVISION MOUNT

INSTALLATION INSTRUCTIONS



Thank you for choosing a MORryde television mount! This drop-down wall mount is designed to mount flat panel televisions to a vertical surface, moving out from the wall and dropping down for a better viewing angle.

Key Features and Benefits

- Drops down and swivels side to side
- Up to 200 x 200 VESA pattern
- Low profile design that helps to reduce glare

Range of Motion*

- Drops down and swivels

Product and Safety Information

The TV56-129H mounts flat panel televisions or monitors to a vertical surface.

NOTE: This mount is not intended for use on brick, concrete, concrete block.

VESA* Mounting Plates

- 100mm x 100mm
- 200mm x 200mm

* Video Electronics Standards Association

Weight Capacity

- 20 lbs

Parts List

1. TV Mounting Plate
2. TV Bracket
3. Hardware Pack

⚠ WARNING Improper installation may cause property damage or personal injury. The mounting surface may require reinforcement as it must be capable of supporting five times the combined weight of the television and the mount.

The installer assumes all responsibility of verifying that any installation method and mounting surface securely support the television and mount. MORryde is not liable for property damage or injury caused by incorrect mounting, installation methods not recommended by MORryde, hardware not provided by MORryde, or incorrect use of the mount during travel or otherwise.

Preparation

Television Stand

If applicable, remove the original base stand in accordance with the television owner's manual.

Hardware

Use appropriate hardware for securing your television to the mount and mounting your television to the mounting surface.



M4x12mm Bolt (4)



M5x12mm Bolt (4)



M6x12mm Bolt (4)



1/4" x 1" Lag Bolt (8)



M6 Flat Washer (8)



#10 Flat Washer (8)



1/4" Flat Washer (8)

Installation

⚠ WARNING Using mounting hardware too long for your application may puncture exterior structures.

⚠ WARNING If your television came with a stand, please remove the stand by referring to your television's owners manual and ensure the hardware has been removed from the mounting holes.

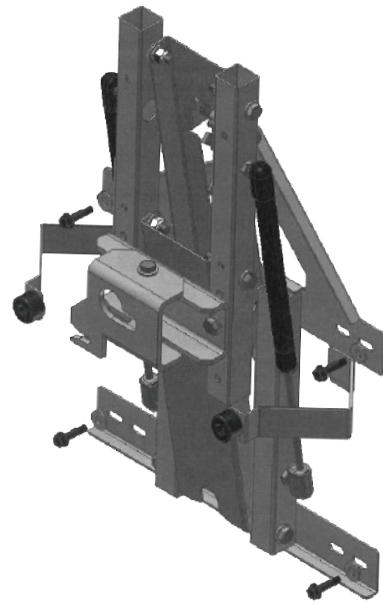
STEP 1

Prepare mounting plate: Remove the TV mount plate by loosening the wing nut on the back side and sliding plate to the left, then straight away from the mount.

STEP 2

Secure the mount to the mounting surface:

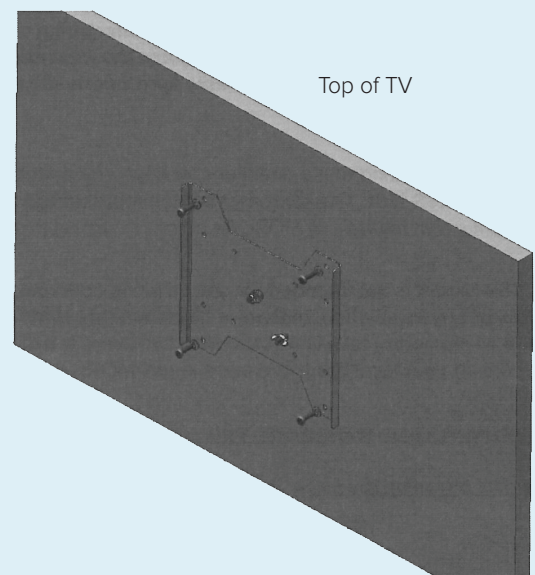
Pre-drill holes using a 1/8" drill bit. Use lag bolts or self-tapping screws (depending on your mounting surface) with 1/4" washers to secure base of bracket to the mounting surface.



STEP 3

Secure the television to mounting plate:

Line up the hole pattern on your television with the matching hole pattern on the universal mounting plate as close to the center as possible. Use the appropriate mounting hardware and washers to secure the television to the mounting plate.



STEP 4

Secure the television or monitor:

Attach TV with connected plate to the mount by moving straight into the mount and then sliding the TV and plate all the way to the right. Tighten wing nut to secure.

NOTE: This mount should be in the locked position during travel.

⚠ WARNING Step 4 may require two people to lift the television safely into place. MORryde is not responsible for property damage and/or personal injury due to improper or unsafe installation practices.

Warranty

Please Visit www.MORryde.com for warranty information.

If you have questions about the installation process, please call our customer service department at **574.293.1581** for assistance.



Above. Beyond. Always.

574.293.1581 • www.MORryde.com

At MORryde, we have a passion for solving problems. Whether we're fabricating custom solutions, modifying a commercial chassis, or creating our innovative products, we answer to a wide range of markets and deliver on a variety of needs. At MORryde, it's simply about doing MORE for our customers, and it doesn't stop at the sale. We stand behind our products, believing in quality first, service always. No matter the issue, we'll be the first to respond and the last to be satisfied. In short, we build better — together.



TV56-129H | VERSION 2



Above. Beyond. Always.

574.293.1581 • www.MORryde.com