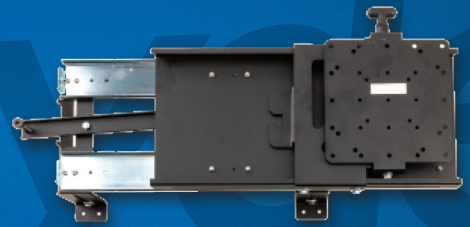


# TV40-002H

## TELEVISION MOUNT

### INSTALLATION INSTRUCTIONS



Thank you for choosing a MORryde television mount! This horizontal sliding mount is excellent for under-cabinet installation or reinforced ceilings.

#### Key Features and Benefits

- Extends 20.5"
- Up to 200 x 200 VESA pattern
- Space-saving design

#### Range of Motion\*

- Pivots 180°

#### Product and Safety Information

The TV40-002H mounts flat panel televisions or monitors to a vertical surface.

**NOTE:** This mount is not intended for use on brick, concrete, concrete block.

#### VESA\* Mounting Plates

- 75mm x 75mm
- 100mm x 200mm
- 100mm x 100mm
- 200mm x 200mm

\* Video Electronics Standards Association

#### Weight Capacity

- 35 lbs

#### Parts List

1. Wall Bracket
2. Mounting Plate
3. Hardware Pack

**⚠ WARNING** Improper installation may cause property damage or personal injury. The mounting surface may require reinforcement as it must be capable of supporting five times the combined weight of the television and the mount.

The installer assumes all responsibility of verifying that any installation method and mounting surface securely support the television and mount. MORryde is not liable for property damage or injury caused by incorrect mounting, installation methods not recommended by MORryde, hardware not provided by MORryde, or incorrect use of the mount during travel or otherwise.

### Preparation

#### Television Stand

If applicable, remove the original base stand in accordance with the television owner's manual.

#### Hardware

Use appropriate hardware for securing your television to the mount and mounting your television to the mounting surface.



M4x12mm Bolt (4)



M5x12mm Bolt (4)



M6x12mm Bolt (4)



1/4" x 1" Lag Bolt (8)



M6 Flat Washer (8)



#10 Flat Washer (8)



1/4" Flat Washer (8)

## Installation

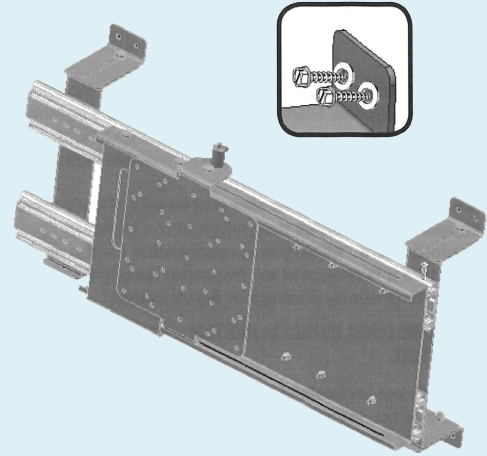
**⚠ WARNING** Using mounting hardware too long for your application may puncture exterior structures.

**⚠ WARNING** If your television came with a stand, please remove the stand by referring to your television's owners manual and ensure the hardware has been removed from the mounting holes.

### STEP 1

#### Secure the wall bracket to mounting surface:

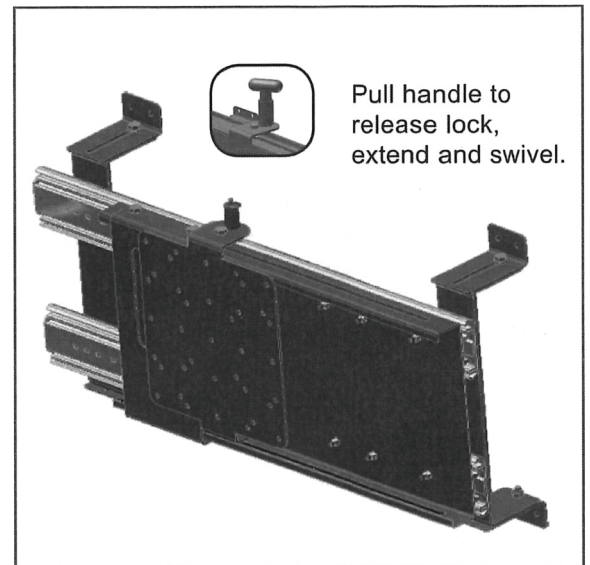
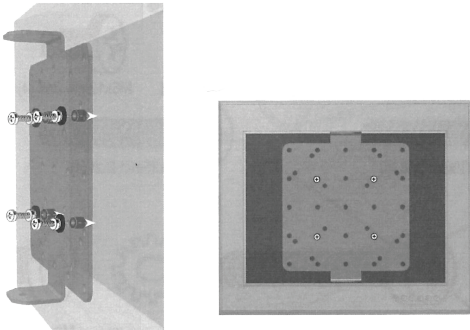
Pre-drill holes using a 1/8" drill bit for use with 1/4" lag bolts. Use lag bolts or self-drilling screws (depending on your mounting surface) with 1/4" washers to secure base of bracket to the mounting surface.



### STEP 2

#### Secure the television to the mounting plate:

Line up the hole pattern on your television with the matching hole pattern on the universal mounting plate as close to the center as possible. Use the appropriate hardware and washers to secure the television to the mounting plate. This can be done without removing the mounting plate, figures are shown without bracket for illustration purposes only.



**⚠ WARNING** Step 2 may require two people to lift the television safely into place. MORryde is not responsible for property damage and/or personal injury due to improper or unsafe installation practices.