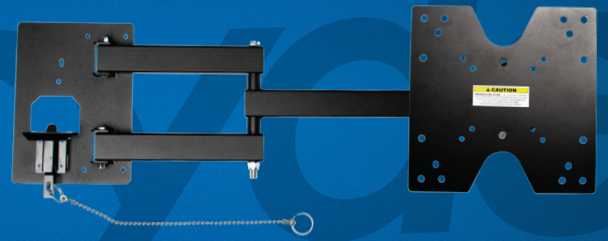


TV1-123H

TELEVISION MOUNT

INSTALLATION INSTRUCTIONS



Thank you for choosing a MORryde television mount! This TV mount is uniquely designed to offer a full range of viewing options with a double joint arm that extends 24" and swings up to 360°.

Key Features and Benefits

- Double-Jointed Extension Arm
- Extends 24" out from the wall
- Tilts $\pm 8^\circ$ forward and backward, and $\pm 5^\circ$ side to side
- Spring latch holds mount secure during travel
- Back plate mounts separately for easy install

Range of Motion*

- Swings up to 360°

* For most applications

Product and Safety Information

The TV1-123H mounts flat panel televisions or monitors to a vertical surface.

NOTE: This mount is not intended for use on brick, concrete, concrete block.

VESA* Mounting Plates

- 75mm x 75mm
- 100mm x 200mm
- 100mm x 100mm
- 200mm x 200mm

* Video Electronics Standards Association

Weight Capacity

- 35 lbs

Parts List

1. TV Mount Plate
2. Assembly Extension Arm Bracket
3. Hardware Pack

⚠ WARNING Improper installation may cause property damage or personal injury. The mounting surface may require reinforcement as it must be capable of supporting five times the combined weight of the television and the mount.

The installer assumes all responsibility of verifying that any installation method and mounting surface securely support the television and mount. MORryde is not liable for property damage or injury caused by incorrect mounting, installation methods not recommended by MORryde, hardware not provided by MORryde, or incorrect use of the mount during travel or otherwise.

Preparation

Television Stand

If applicable, remove the original base stand in accordance with the television owner's manual.

Hardware

Use appropriate hardware for securing your television to the mount and mounting your television to the mounting surface.



M4x12mm Bolt (4)



M5x12mm Bolt (4)



M6x12mm Bolt (4)



1/4" x 1" Lag Bolt (8)



M6 Flat Washer (8)



#10 Flat Washer (8)



1/4" Flat Washer (8)

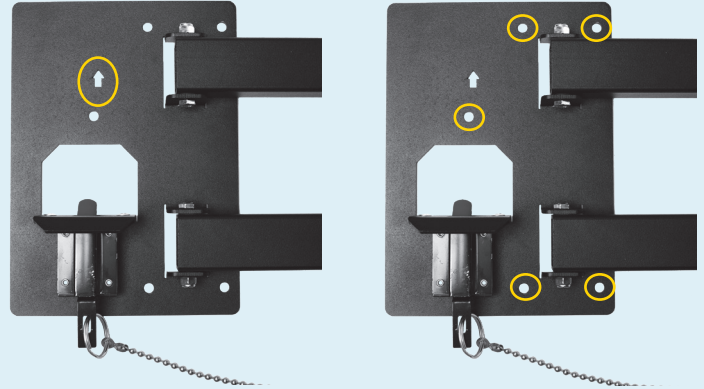
Installation

⚠ WARNING Using mounting hardware too long for your application may puncture exterior structures.

STEP 1

Ensure that the arrow on the wall mounting plate is facing in the “up” position.

Using the mounting hardware best suited to your application, secure the TV mount to the mounting surface. Confirm the strength of the mounting surface and level the top of the plate. If necessary, reinforce the mounting surface to ensure the security of the television mount.

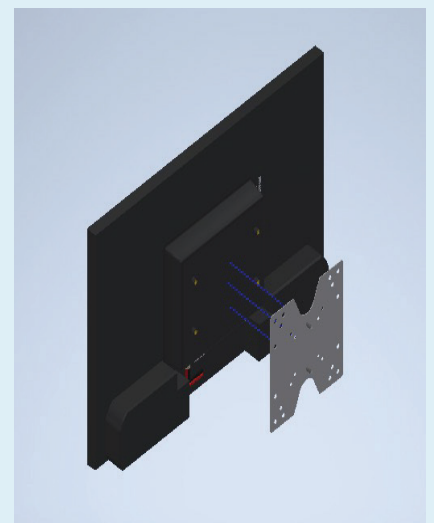


STEP 2

With the screen face down, place the TV on a soft, flat surface and locate the four mounting points on the back of the TV. If necessary, pry off any plastic caps covering the mounting holes with a flat head screwdriver.

STEP 3

Align the holes on the TV Mounting Plate with the mounting holes on the back of the TV and use the most suitable mounting hardware (included), to affix the TV to the Mounting Plate.



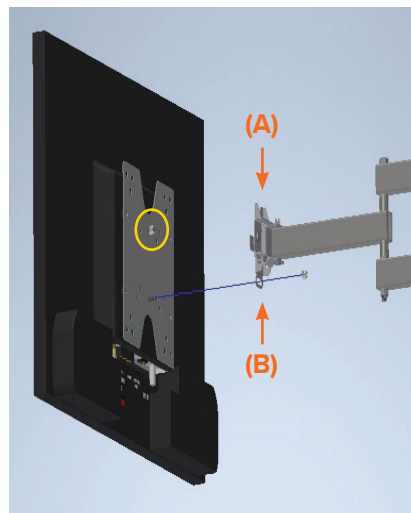
Installation

⚠ WARNING Step 4 may require two people to lift the television safely into place. MORryde is not responsible for property damage and/or personal injury due to improper or unsafe installation practices.

STEP 4

Remove the bottom nut from the TV plate prior to attaching the extension arm assembly. With the TV attached to the TV Mounting Plate, lift the TV Mount Assembly into place so the top stud sits in the notch **(A)** in the extension arm assembly, and is held in place by the nut while the bottom stud slides through the slot **(B)** in the assembly.

Tighten nylock nuts on both top and bottom to secure the assembly to the mounting plate.



STEP 5

When all mounting screws are sufficiently tight, fold the extension arm of the TV Mount in such a way that allows the locking mechanism on the extension arm to engage the receiver on the mounting plate. Ensure that it locks into place. To adjust/use the TV mount, release the locking mechanism by pulling down on the chain and pull the extension arm out.

Warranty

Please Visit www.MORryde.com for warranty information.

If you have questions about the installation process, please call our customer service department at **574.293.1581** for assistance.

At MORryde, we have a passion for solving problems. Whether we're fabricating custom solutions, modifying a commercial chassis, or creating our innovative products, we answer to a wide range of markets and deliver on a variety of needs. At MORryde, it's simply about doing MORE for our customers, and it doesn't stop at the sale. We stand behind our products, believing in quality first, service always. No matter the issue, we'll be the first to respond and the last to be satisfied. In short, we build better — together.



TV1-123H | VERSION1



Above. Beyond. Always.

574.293.1581 • www.MORryde.com