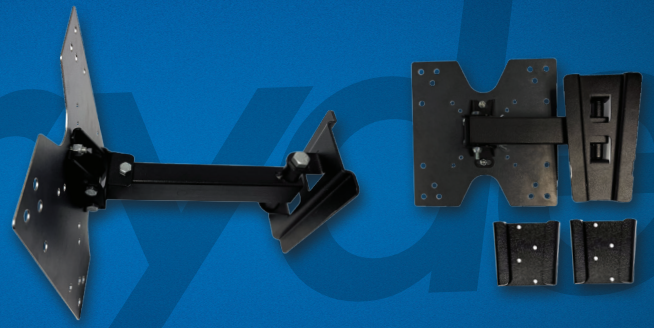


TV5-017H

TELEVISION MOUNT

INSTALLATION INSTRUCTIONS



Thank you for choosing a MORryde television mount! The TV5-017H offers a full range of viewing options with a 360° swing range and two docking plates to allow you to easily transport your TV from place to place.

Key Features and Benefits

- Two Docking Plates
- Tilts $\pm 8^\circ$ Forward and Backward and $\pm 5^\circ$ Side to Side
- Secure Lock for Travel
- Low Profile Design
- Front Mounting Plate Attaches Separately
- Extends 10 1/4"

Range of Motion*

- Swings up to 360°

* For most applications

Product and Safety Information

The TV5-017H mounts flat panel televisions or monitors to a vertical surface.

NOTE: This mount is not intended for use on brick, concrete, concrete block.

VESA* Mounting Plates

- 75mm x 75mm
- 100mm x 200mm
- 100mm x 100mm
- 200mm x 200mm

* Video Electronics Standards Association

Weight Capacity

- 50 lbs

Parts List

1. TV Mount Plate
2. Long Arm Weldment
3. Portamount Bracket
4. Portamount Wall Bracket
5. Hardware Pack

⚠ WARNING Improper installation may cause property damage or personal injury. The mounting surface may require reinforcement as it must be capable of supporting five times the combined weight of the television and the mount.

The installer assumes all responsibility of verifying that any installation method and mounting surface securely support the television and mount. MORryde is not liable for property damage or injury caused by incorrect mounting, installation methods not recommended by MORryde, hardware not provided by MORryde, or incorrect use of the mount during travel or otherwise.

Preparation

Television Stand

If applicable, remove the original base stand in accordance with the television owner's manual.

Hardware

Use appropriate hardware for securing your television to the mount and mounting your television to the mounting surface.



M4x12mm Bolt (4)

M5x12mm Bolt (4)

M6x12mm Bolt (4)

1/4" x 1" Lag Bolt (8)

M6 Flat Washer (8)

#10 Flat Washer (8)

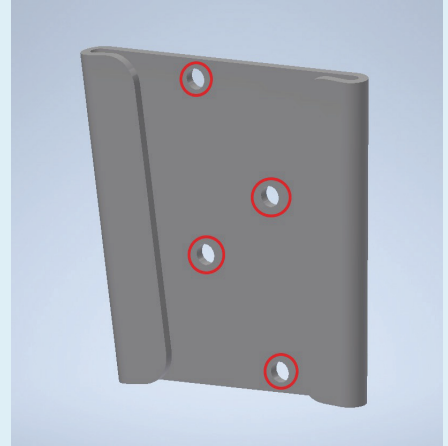
1/4" Flat Washer (8)

Installation

⚠ WARNING Using mounting hardware too long for your application may puncture exterior structures.

STEP 1

Using the mounting hardware best suited to your application, secure the TV mount to the mounting surface. Confirm the strength of the mounting surface and level the top of the plate. If necessary, reinforce the mounting surface to ensure the security of the television mount.

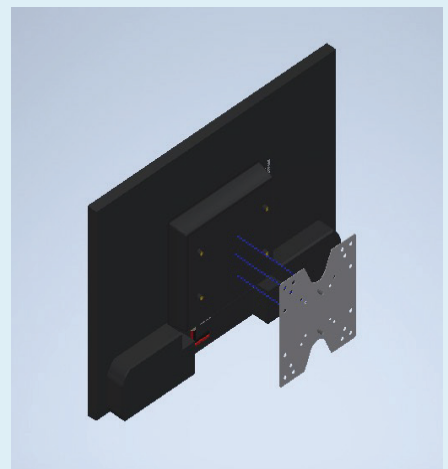


STEP 2

With the screen face down, place the TV on a soft, flat surface and locate the mounting points on the back of the TV. If necessary, pry off any plastic caps covering the mounting holes with a flat head screwdriver.

STEP 3

Align the holes on the TV Mounting Plate with the mounting holes on the back of the TV and use the most suitable mounting hardware (included), to affix the TV to the Mounting Plate.

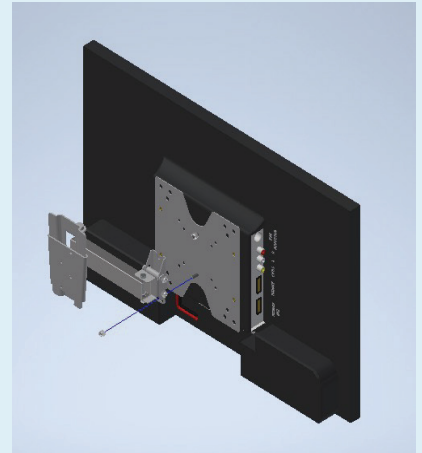


⚠ WARNING Step 4 may require two people to lift the television safely into place. MORryde is not responsible for property damage and/or personal injury due to improper or unsafe installation practices.

Installation

STEP 4

Attach the TV Mounting Plate to the assembly extension arm by sliding the bolt studs of the TV mount plate into the receiver of the TV extension arm. Then using the two locking nuts, secure the plate in place.



STEP 5

With the TV attached to the TV Mounting Plate, lift the TV mount assembly and slide the Portamount bracket into the wall bracket that was affixed to the mounting surface in Step 1.



Warranty

Please Visit www.MORryde.com for warranty information.

If you have questions about the installation process, please call our customer service department at **574.293.1581** for assistance.

At MORryde, we have a passion for solving problems. Whether we're fabricating custom solutions, modifying a commercial chassis, or creating our innovative products, we answer to a wide range of markets and deliver on a variety of needs. At MORryde, it's simply about doing MORE for our customers, and it doesn't stop at the sale. We stand behind our products, believing in quality first, service always. No matter the issue, we'll be the first to respond and the last to be satisfied. In short, we build better — together.



TV5-017H | VERSION 2



Above. Beyond. Always.

574.293.1581 • www.MORryde.com