

TV1-096H

TELEVISION MOUNT

INSTALLATION INSTRUCTIONS



Thank you for choosing a MORryde television mount! The TV1-096H offers a full range of viewing options with an 15 3/4" double-jointed extension arm and dual magnets for secure locking.

Key Features and Benefits

- 15 3/4" Double-Jointed Extension Arm
- Left or Right Viewing Orientation
- Secure Lock for Travel

Range of Motion*

- Swings up to 180°

* For most applications

Product and Safety Information

The TV1-096H mounts flat panel televisions or monitors to a vertical surface in an outside entertainment center.

NOTE: This mount is not intended for use on brick, concrete, concrete block.

VESA* Mounting Plates

- 75mm x 75mm
- 100mm x 200mm
- 100mm x 100mm
- 200mm x 200mm

* Video Electronics Standards Association

Weight Capacity

- 25 lbs

Parts List

1. TV Plate
2. Wall Plate
3. Double-Jointed Extension Arm
4. Hardware Pack

⚠ WARNING Improper installation may cause property damage or personal injury. The mounting surface may require reinforcement as it must be capable of supporting five times the combined weight of the television and the mount.

The installer assumes all responsibility of verifying that any installation method and mounting surface securely support the television and mount. MORryde is not liable for property damage or injury caused by incorrect mounting, installation methods not recommended by MORryde, hardware not provided by MORryde, or incorrect use of the mount during travel or otherwise.

Preparation

Television Stand

If applicable, remove the original base stand in accordance with the television owner's manual.

Hardware

Use appropriate hardware for securing your television to the mount and mounting your television to the mounting surface.



M4x12mm Bolt (4)



M5x12mm Bolt (4)



M6x12mm Bolt (4)



1/4" x 1" Lag Bolt (8)



M6 Flat Washer (8)



#10 Flat Washer (8)



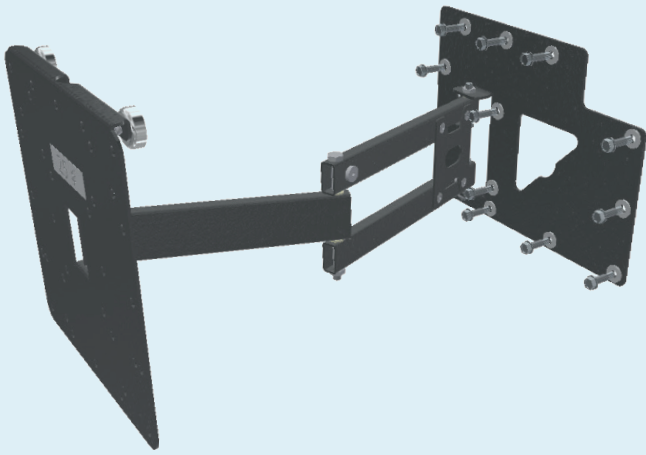
1/4" Flat Washer (8)

Installation

⚠ WARNING Using mounting hardware too long for your application may puncture exterior structures.

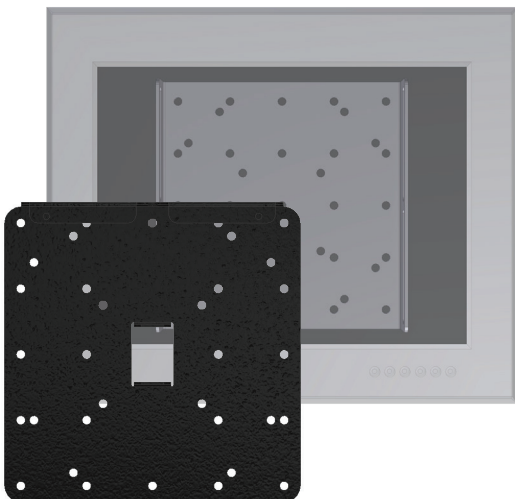
STEP 1

Using the mounting hardware best suited to your application, secure the TV mount to the mounting surface. Confirm the strength of the mounting surface and level the top of the plate. If necessary, reinforce the mounting surface to ensure the security of the television mount.



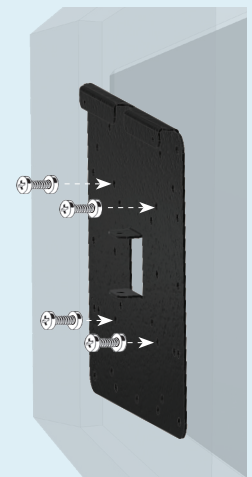
STEP 2

With the screen face down, place the TV on a soft, flat surface and locate the four mounting points on the back of the TV. If necessary, pry off any plastic caps covering the mounting holes with a flat head screwdriver.



STEP 3

Lift the television into place and match up the mounting patterns on the TV plate and the back of the TV. Using the most suitable mounting hardware, attach the plate to the TV.



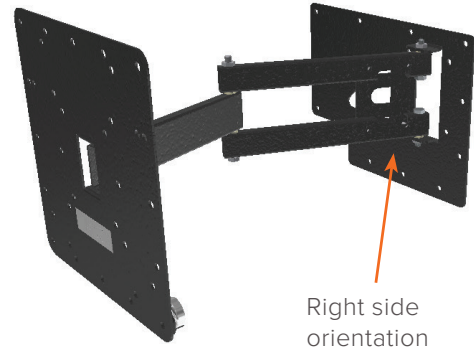
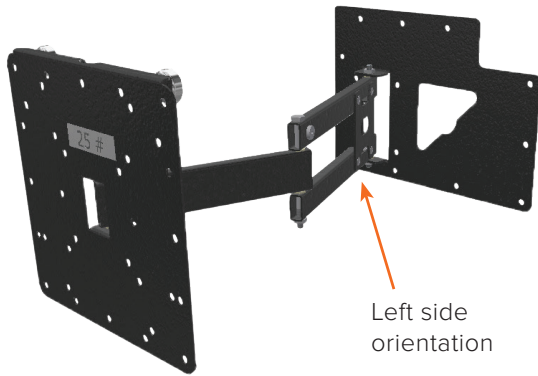
⚠ WARNING Step 3 may require two people to lift the television safely into place. MORyde is not responsible for property damage and/or personal injury due to improper or unsafe installation practices.

Operation

Orientation

The TV1-096H mount offers both right and left viewing orientations. If you prefer a right viewing orientation, disconnect wall plate from the extension arm.

Reinstall the plate upside down.



Extend and Swivel

Pull the TV out from the wall. Position the TV for optimal viewing by releasing the two magnets.

Warranty

Please Visit www.MORryde.com for warranty information.

If you have questions about the installation process, please call our customer service department at **574.293.1581** for assistance.



Above. Beyond. Always.

574.293.1581 • www.MORryde.com

At MORryde, we have a passion for solving problems. Whether we're fabricating custom solutions, modifying a commercial chassis, or creating our innovative products, we answer to a wide range of markets and deliver on a variety of needs. At MORryde, it's simply about doing MORE for our customers, and it doesn't stop at the sale. We stand behind our products, believing in quality first, service always. No matter the issue, we'll be the first to respond and the last to be satisfied. In short, we build better — together.



TV1-096H | VERSION 1



Above. Beyond. Always.

574.293.1581 • www.MORryde.com