

Trail Kitchen Accessory: **JP54-073**

# TRAIL KITCHEN BASIC SINK KIT

## INSTALLATION INSTRUCTIONS

Designed to be used with the JP54-038 Trail Kitchen

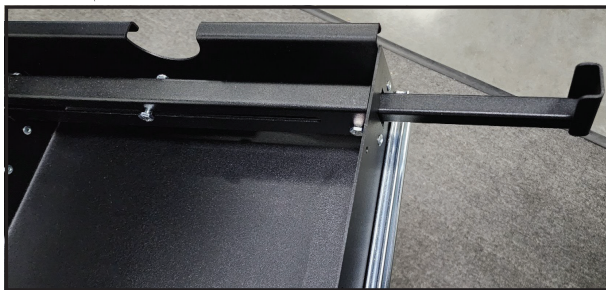


### STEP 1

Ensuring the holes in the walls of the tubes (Fig. 2)\* are lined up with the slots in the channel guides, insert the tubes into the channel guides.

### STEP 2

Bolt the tubes into the channels using the supplied 1/4-20 bolt, plastic Bearings, and Nuts. Tighten the nut until it touches off on Spacer. Ensure the tubes move freely in the channel guides.



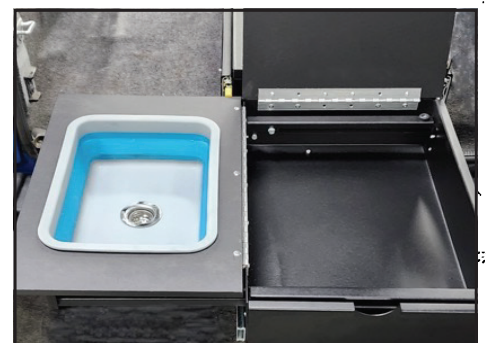
\*Product diagram on last page, for reference.

### Tools Needed:

- 1/8" Allen Wrench
- 5/32" Allen Wrench
- 3/8" Wrench/Socket
- 7/16" Wrench/Socket

### PARTS LIST:

- JP46-016 Hardware Assembly Package
- JP56-026 Counter Support Arm
- JP56-047 Flip-Open Countertop Assembly
- JP209-171 Counter Bracket Support
- UO136-3302 Blue Collapsible Sink



# MORryde

## HEAVY. DUTY. ADVENTURE.

www.MORryde.com • 574.293.1581

JP54-073

# TRAIL KITCHEN BASIC SINK KIT

## INSTALLATION INSTRUCTIONS

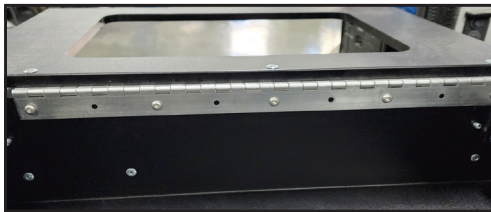
### STEP 3

Line up the Counter Supports (Fig. 4) with the Tube Nuts and fasten together using the supplied Flat-head Bolts.



### STEP 4

Line up the holes in the Countertop Hinge with the holes in the side of the Storage Tray.



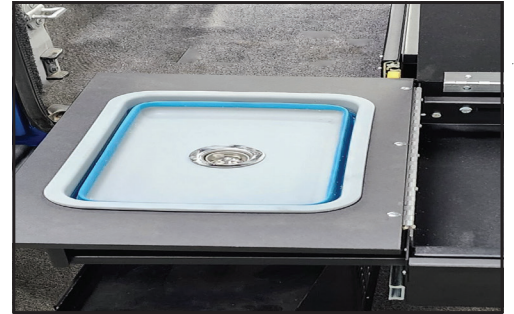
### STEP 5

Fasten the Storage Tray to the Countertop Hinge (Fig. 3) using the supplied bolts and nuts.



### STEP 6

Insert supplied Folding Sink (Fig. 5) into routed hole in Countertop.



If you have any questions regarding the installation procedure or have difficulty with any of the steps, please contact us at **574-293-1581** or email [sales@morryde.com](mailto:sales@morryde.com).

# MORryde

## HEAVY. DUTY. ADVENTURE.

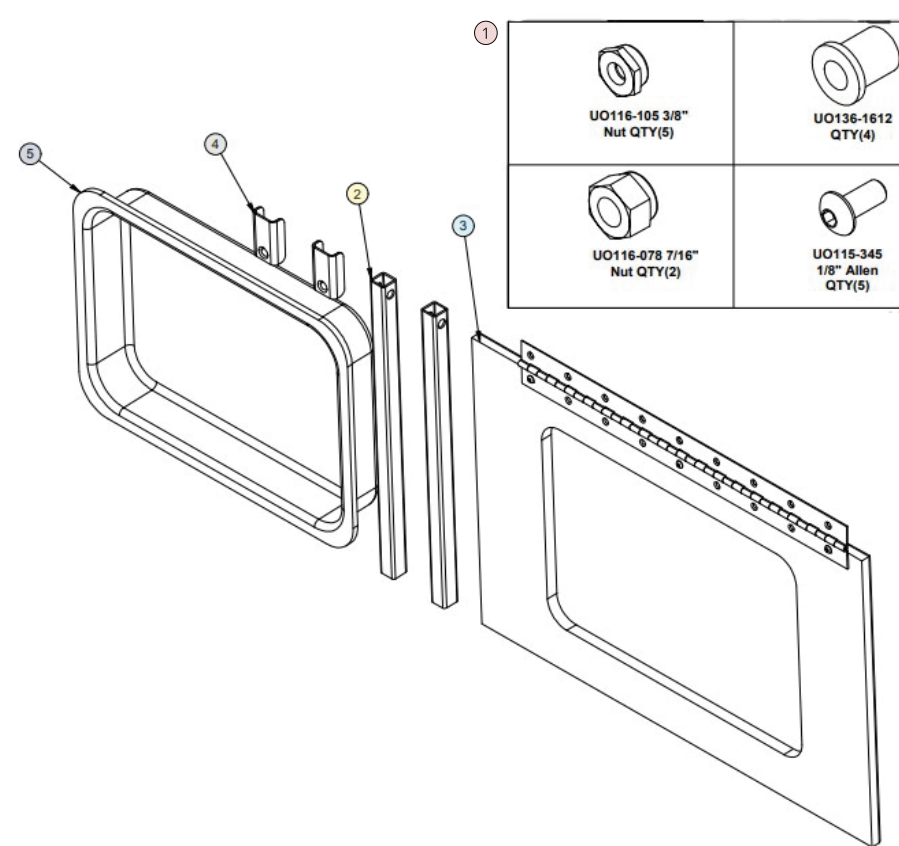
[www.MORryde.com](http://www.MORryde.com) • 574.293.1581







JP54-073

# TRAIL KITCHEN BASIC SINK KIT


## INSTALLATION INSTRUCTIONS

\*Product diagram



 UO116-105 3/8" Nut QTY(5)	 UO136-1612 QTY(4)	 UO115-020 7/16" Bolt QTY(2)
 UO116-078 7/16" Nut QTY(2)	 UO115-345 1/8" Allen QTY(5)	 UO115-130 5/32" Allen QTY(2)

PARTS LIST		
ITEM	QTY	PART NUMBER
1	1	JP46-016HrdwareKit
2	2	JP56-026Supprt Arm
3	1	JP56-047CntrTop
4	2	JP209-171SnkSuppt
5	1	UO136-3302BluSink

<b>JP54-073</b>	
TRAIL KITCHEN BASIC SINK KIT	
	
Above. Beyond. Always.	

# MORryde

## HEAVY. DUTY. ADVENTURE.

www.MORryde.com • 574.293.1581