

Trail Kitchen Accessory: **JP54-069**

TRAIL KITCHEN DELUXE SINK KIT

INSTALLATION INSTRUCTIONS

Designed to be used with the JP54-038 Trail Kitchen

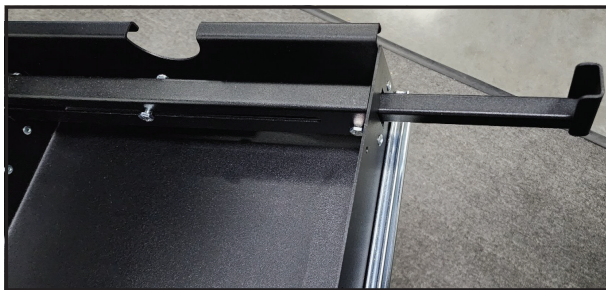


STEP 1

Ensuring the holes in the walls of the tubes (Fig. 2)* are lined up with the slots in the channel guides, insert the tubes into the channel guides.

STEP 2

Bolt the tubes into the channels using the supplied 1/4-20 Bolt, plastic Bearings, and Nuts. Tighten the nut until it touches off on Spacer. Ensure the tubes move freely in the channel guides.



*Product diagram on last page, for reference.

**UO136-3323 and UO136-3322 - Refer to Product diagram

Tools Needed:

- 1/8" Allen Wrench
- 5/32" Allen Wrench
- 3/8" Wrench/Socket
- 7/16" Wrench/Socket

PARTS LIST:

- JP46-018 Hardware Assembly Package
- JP56-026 Counter Support Arm
- JP56-047 Flip-Open Countertop Assembly
- JP56-048 Sink Assembly with Drain
- JP209-171 Counter Support Bracket
- JP209-173 Faucet Bracket
- UO136-3318 Electric Faucet
- UO136-3321 Diaphragm Water Pump
- UO136-3331 3/8" ID x 100" Water Hose
- UO136-3323 Female Quick-Disconnect**
- UO136-3322 Female Hose Fitting**



MORryde

HEAVY. DUTY. ADVENTURE.

www.MORryde.com • 574.293.1581

JP54-069

TRAIL KITCHEN DELUXE SINK KIT

INSTALLATION INSTRUCTIONS

STEP 3

Line up the Counter Supports (Fig. 4) with the Tube Nuts and fasten together using the supplied Flat-head Bolts.



STEP 4

Line up the holes in the Countertop Hinge with the holes in the side of the Storage Tray.

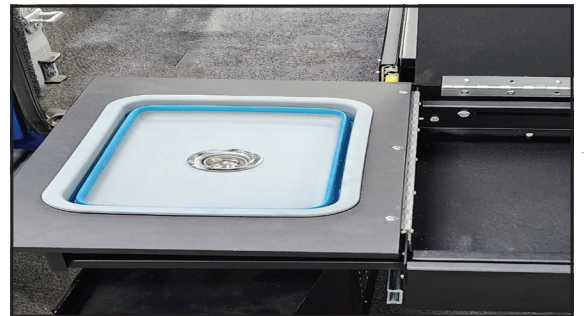
STEP 5

Fasten the Storage Tray to the Countertop Hinge (Fig. 3) using the supplied bolts and nuts.



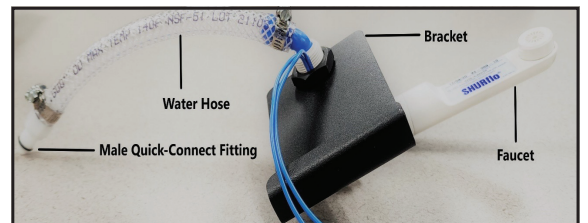
STEP 6

Insert supplied Folding Sink (Fig. 5) into routed hole in Countertop.



STEP 7

Construct the Faucet Assembly by using 6" of the supplied Water Hose, a male quick-connect Hose fitting, Faucet and Faucet Bracket.



STEP 8

Determine desired location for Water Pump and install it. One option may be fastening the Water Pump to the back of the Trail Kitchen using (2) self-drilling screws.



MORryde

HEAVY. DUTY. ADVENTURE.

www.MORryde.com • 574.293.1581

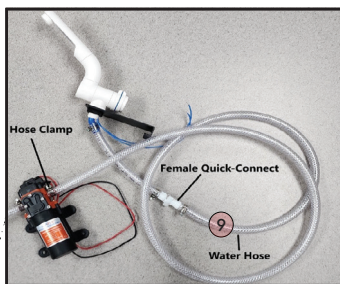
JP54-069

TRAIL KITCHEN DELUXE SINK KIT

INSTALLATION INSTRUCTIONS

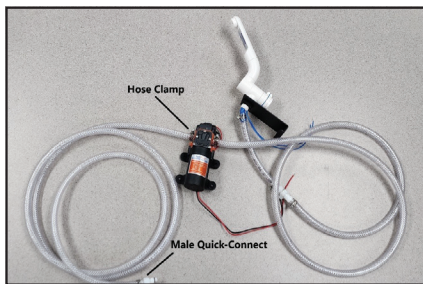
STEP 9

Determine length of 3/8" clear hose needed to route hose from the Faucet to the Water Pump and cut the hose to the desired length. Then, install a female quick-disconnect (UO136-3323) to one end of the hose and attach the other side to the Water Pump using a hose clamp.



STEP 10

Determine length of 3/8" clear hose needed to route hose from the Water Pump to the water source. Then attach the hose to the input on the Water Pump using a hose clamp. Install a male, quick-disconnect to the other end of the hose.



STEP 11

Drill a 3/4" hole in a cap of water source and install supplied female hose fitting (UO136-3322) and attach hose to female fitting that will reach into the water. *If using a Rotopax, hardware is provided to convert the lid to accept the female, quick-disconnect fitting without the need to drill into your

STEP 12

Connect all of your water hoses and supply power to your water pump to ensure that everything is functioning properly. *The Faucet does not need to be wired to power as the water pump is an on-demand pump.

If you have any questions regarding the installation procedure or have difficulty with any of the steps, please contact us at **574-293-1581** or email sales@morryde.com.

MORryde

HEAVY. DUTY. ADVENTURE.

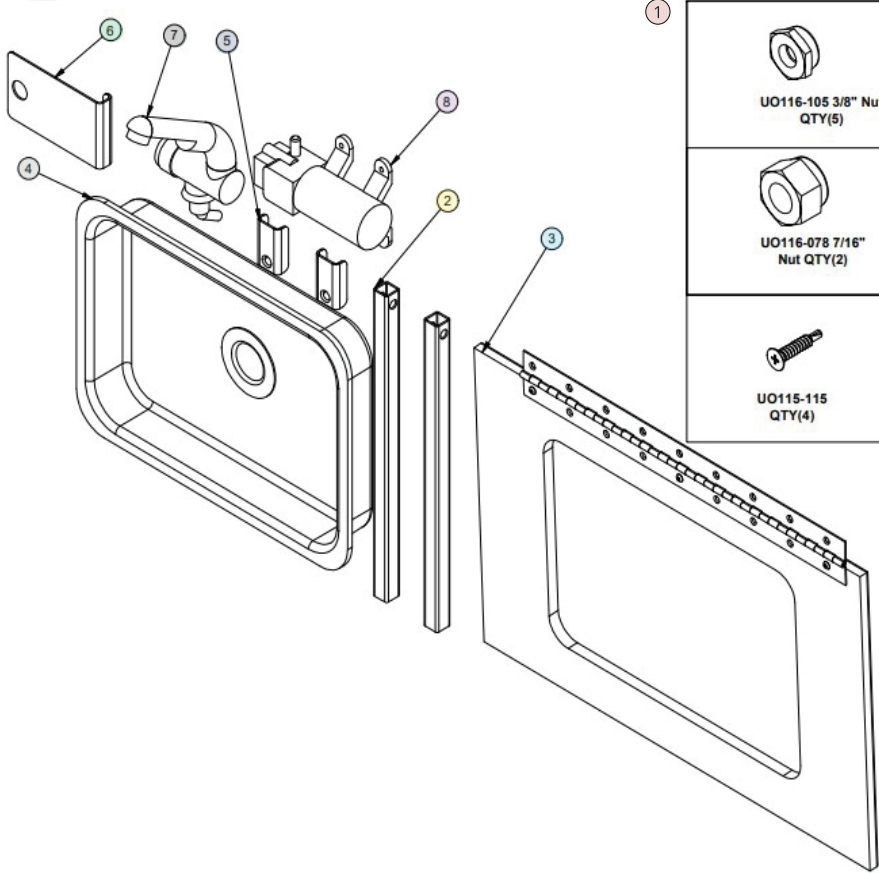
www.MORryde.com • 574.293.1581












JP54-069

TRAIL KITCHEN DELUXE SINK KIT


INSTALLATION INSTRUCTIONS

*Product diagram



 UO116-105 3/8" Nut QTY(5)	 UO136-1612 QTY(4)	 UO115-020 7/16" Bolt QTY(2)
 UO116-078 7/16" Nut QTY(2)	 UO115-345 1/8" Allen QTY(5)	 UO115-130 5/32" Nut QTY(2)
 UO115-115 QTY(4)	**  UO136-3323 QTY(1)	**  UO136-3322 QTY(1)
	 UO136-3360 QTY(2)	 UO136-3324 QTY(2)

PARTS LIST		
ITEM	QTY	PART NUMBER
1	1	JP46-018HrdwreKit
2	2	JP56-026SupportArm
3	1	JP56-047CntrTop
4	1	JP56-048SnkAsmby
5	2	JP209-171SnkSuppt
6	1	JP209-173FctBrcket
7	1	UO136-3318EleFauc
8	1	UO136-3321WtrPmp
9	13	UO136-3331 3/8"Hos

JP54-069	
TRAIL KITCHEN BASIC SINK KIT	
	
<small>Above. Beyond. Always.</small>	

MORryde

HEAVY. DUTY. ADVENTURE.

www.MORryde.com • 574.293.1581