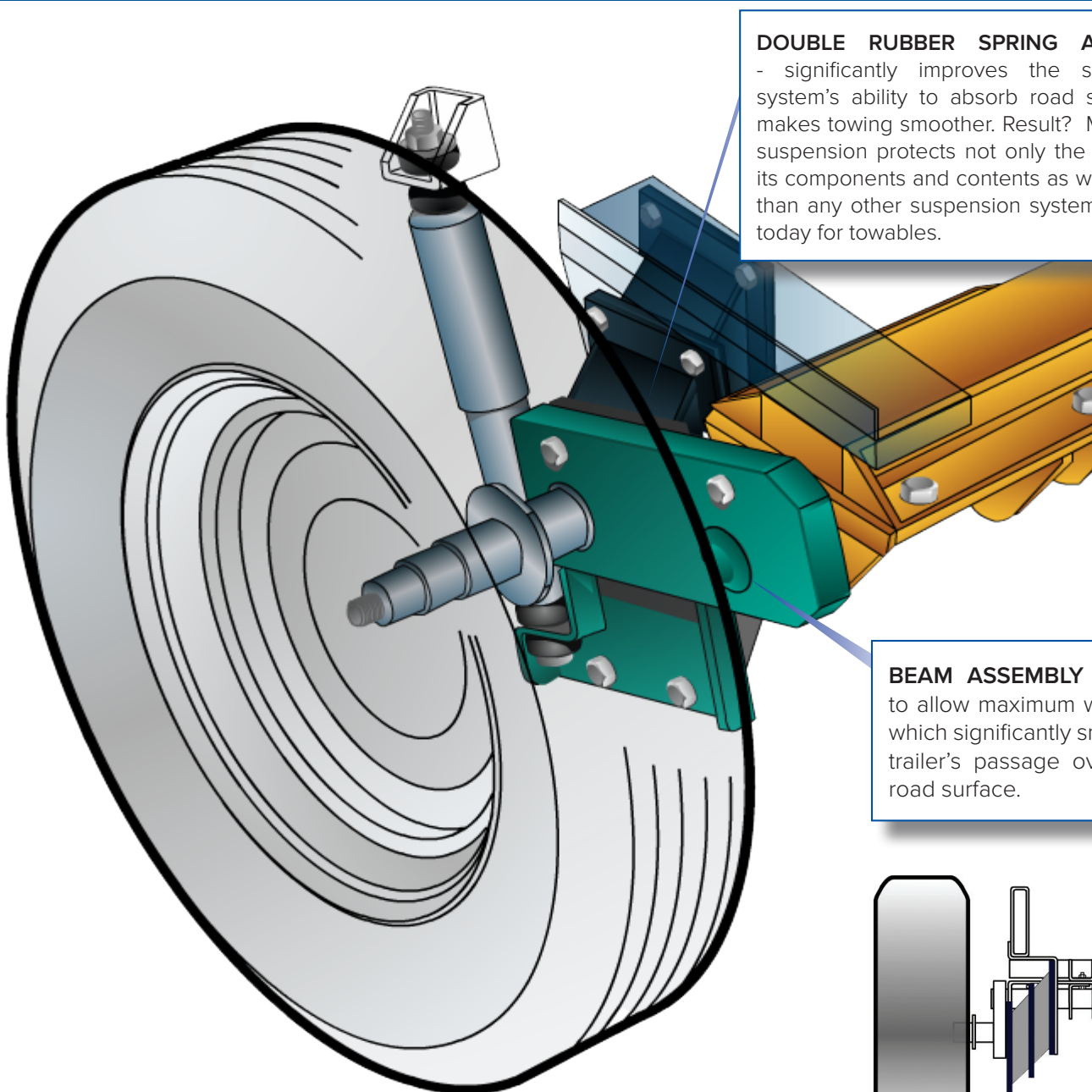




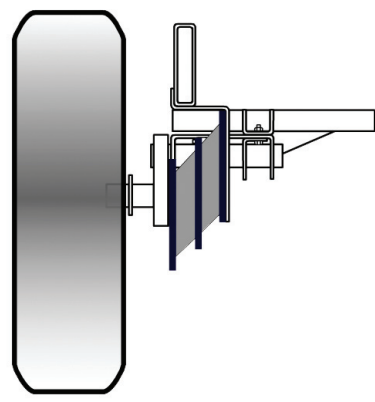
Above. Beyond. Always.

The Independent Suspension System



DOUBLE RUBBER SPRING ASSEMBLY - significantly improves the suspension system's ability to absorb road shock and makes towing smoother. Result? MORryde's suspension protects not only the trailer, but its components and contents as well - better than any other suspension system available today for towables.

BEAM ASSEMBLY - designed to allow maximum wheel travel, which significantly smoothes the trailer's passage over a rough road surface.



- Superior towing smoothness
- Improved towability & handling
- Better protection of trailer, components & contents from damaging road shock

Interested in improving your towing quality and improving the life of your trailer? Give us a call to speak with one of our Customer Service representatives (574) 293-1581