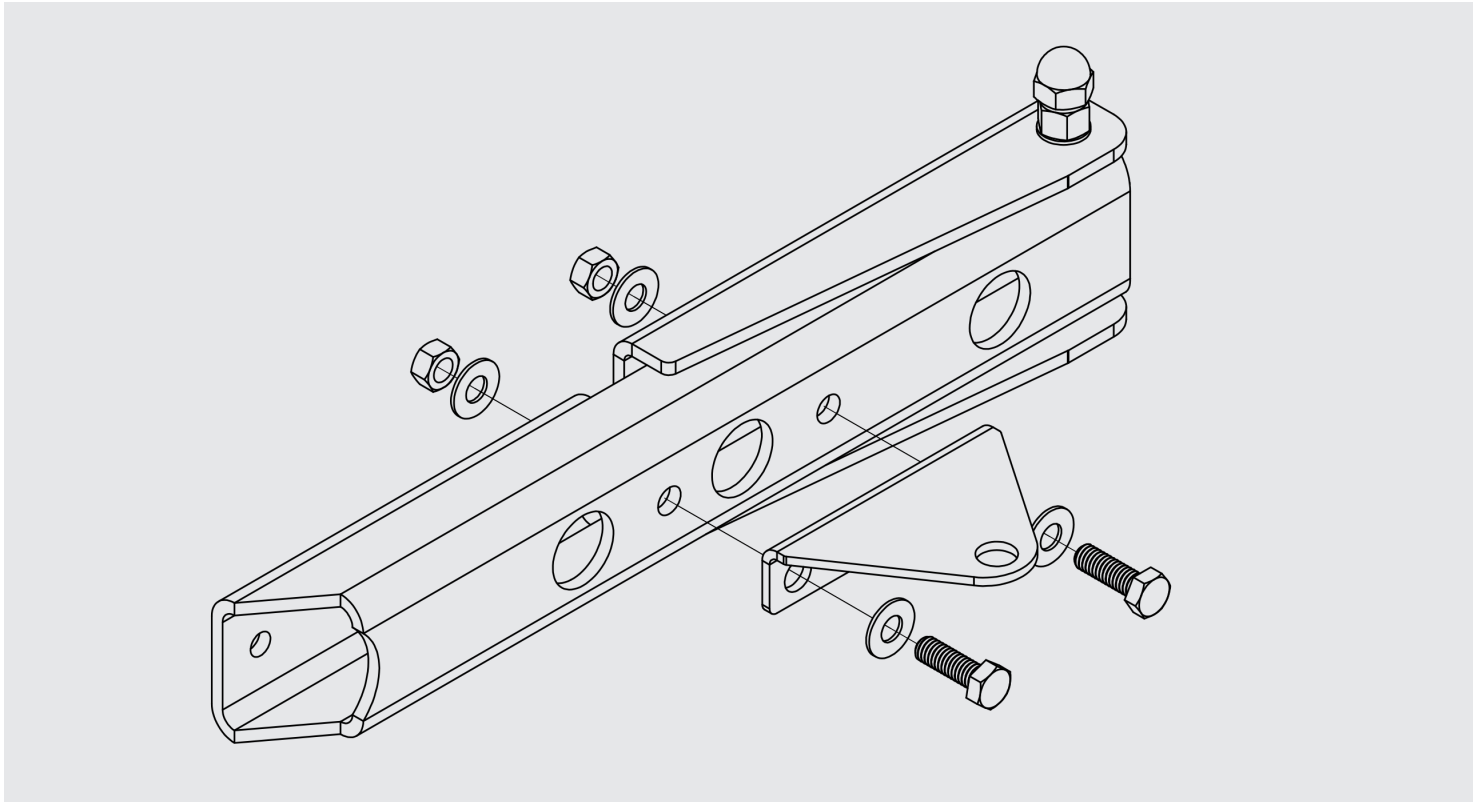


MOUNTING THE CB ANTENNA BRACKET

*Easily mounts to the Heavy-Duty TJ hinges, sold separately



1. Attach (1) washer and guide (1) bolt through each hole on the CB mount.
2. Continue each bolt through the proper holes in the Heavy Duty Hinge.
3. Place additional washer on the inside of the Heavy Duty Hinge and thread the bolt into the supplied nut.
4. Tighten both bolts to secure bracket to hinges. Tighten evenly so bracket sits flush to hinge