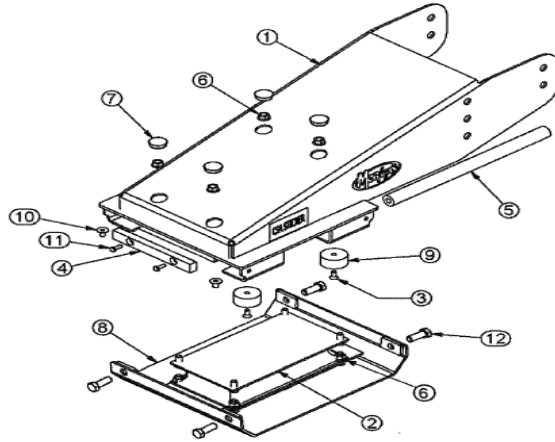


Goose Neck Adaptor Installation Instructions



Parts List		
ITEM	QTY	DESCRIPTION
1	1	UPPER MOUNTING ASSEMBLY
2	1	SHEAR SPRING
3	4	5/16-18 BUTTONHEAD BOLT
4	2	RUBER COMPRESSION BUMPER
5	2	RETAINMENT ROD
6	8	7/16-14 FLANGE NUT
7	4	ACCESS PLUG
8	1	LOWER SKID PAD ASEMBLY
9	3	GLIDE PAD/DISC
10	2	5/16-18 T-NUT
11	4	1/4-20 SELF TAPPING SCREW
12	4	9/16-12 BOLT

Tool List	
13/16 SOCKET	
11/16 SOCKET & 11/16 WRENCH	
BLUE LOC-TITE	
TORQUE WRENCH	
VICE GRIPS	

- 1) Support the king pin (example: tripod jack, hitch in truck).
- 2) Remove the 4 retainment rod bolts by securing retainment rod with vice grips (#12).
- 3) Remove the 4 rubber plugs in the top of the box (#7)
- 4) Remove the 4 nuts holding on the rubber springs (#6)
- 5) Your skid pad assembly (#8) is now separated from the pin box
- 6) Remove the 4 nuts that are holding the rubber spring to the skid pad (#6)
- 7) Re install the rubber spring (#2) on the new skid pad assembly



- 8) Install the Stability Pads in the tube of the upper mounting assembly (1)



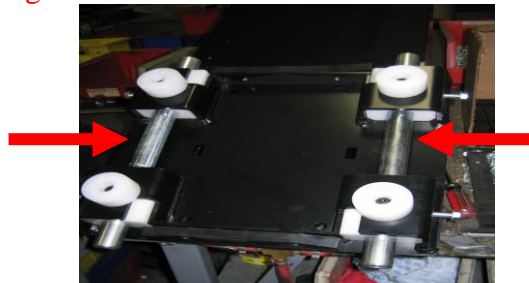
- 9) Ensure the slotted area of the block is pointed in toward the glide pad/disc (center picture)

Goose Neck Adaptor Installation Instructions Page 2

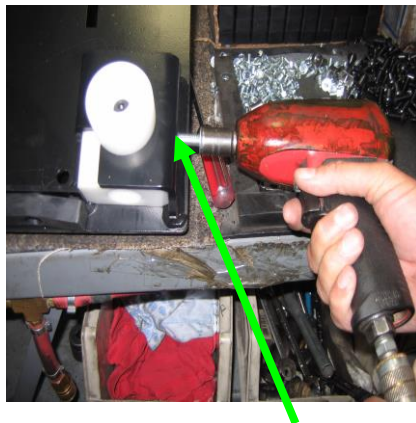
(10) Install (do not tighten) 1" Hex washer thread rolling bolts (4 pcs provided)



11) Replace the retaining rods



12) Tighten the 1" Hex washer thread rolling bolts



Goose Neck Adaptor Installation Instructions Page 3

- 13) Replace the Skid Pad assembly and replace the retaining rod bolts



CAUTION:

The addition of a Goose Neck adaptor on the Fifth Wheel Hitch may cause damage to the frame structure and in many cases voids the frame warranty.

MOR/ryde will not be responsible for any damages caused by the use of the fore mentioned product. This adaptor kit was designed to allow the use of the MOR/ryde Rubber Pin Box with the goose neck adaptor without damaging the pin box.

ATTENTION:

Do not bolt the gooseneck adaptor hitch to the MOR/ryde gooseneck adaptor plate. The bolts will interfere with the glide pads and not allow proper travel. The gooseneck adaptor needs to be welded to the MOR/ryde gooseneck adaptor plate.