

# SRE4000 TANDEM w/CROSS MEMBER

## INSTALLATION INSTRUCTIONS



The MORryde X-Factor crossmember kit is designed to provide added strength and reinforcement to trailer frames. The crossmember can be installed onto a single spring hanger or for added strength and reinforcement onto all of the spring hangers on the frame. The installation instructions for the kit and the **SRE4000** are detailed below.

**⚠ WARNING** The **SRE4000** suspension system warranty is void if crossmember is not installed.

### TOOLS REQUIRED:

- Torque Wrench
- 11/16" Socket & 13/16" Wrench
  - 9/16" Socket & Wrench
  - 1/2" Socket & Wrench
    - Floor Jacks
    - Safety Stands
      - Ratchet
- Alternate Tools for Reinforced Frame Hanger: 5/16" Drill Bit & Drill

### PARTS LIST:

- Crossmember Half w/ Holes, 2nd Half w/ Slots
  - (2) **SRE4000** Equalizers
    - (2) Clamp Strap
  - (8) 3/8-16 x 1 Flange Bolt
  - (8) 3/8-16 Flange Locknut
  - (4) 5/16-18 x 1 1/2 HHCS
    - (4) 5/16-18 Locknut
  - (2) 7/16-20 x 3.40 Wet Bolt
  - (2) 7/16-20 Flange Locknut Shoulder Bolt



Above. Beyond. Always.

574.293.1581 • MORryde.com

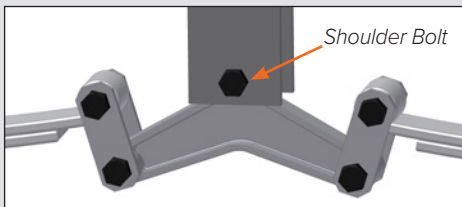
## STANDARD 3" WIDE FRAME HANGER:

### Step 1

Using appropriately rated jacks to support the trailer, jack unit up and support frame with safety stands and support axles with floor jacks.

### Step 2

Remove shoulder bolt from frame hanger and remove shackle links.



### Step 3

Replace stock equalizer with **SRE4000**. Reinstall shackle links and tighten shackle link nuts. Replace shoulder bolt with wet bolt (shoulder bolt w/ grease zerks) included in installation kit. The bolt should point toward the inside of the trailer. Do not install nut until next step.



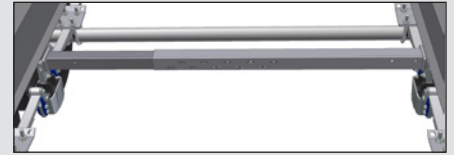
### Step 4

Slide cross member half with slots over the end of the wet bolt and thread the nut on without tightening. The open end of the channel should face down.



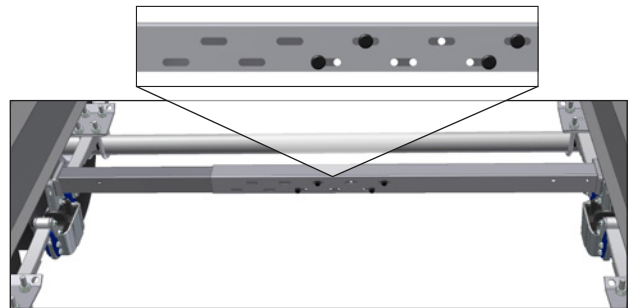
### Step 5

Repeat steps 2-4 on opposite side of frame for the cross member half with holes.



### Step 6

Make sure the cross member ends are pressed against the frame hanger. Line up holes on both cross members and insert flange bolts (4 on each side) into holes that are furthest from the center in both the top and bottom rows (do not tighten flange bolts at this time).

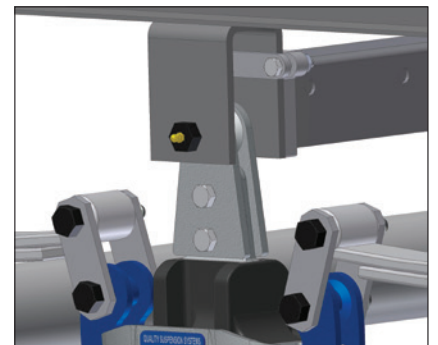


### Step 7

Tighten wet bolts from Step 3 on both sides to 40 ft-lbs. Then tighten flange bolts from Step 6 to 40 ft-lbs.

### Step 8

Insert clamp strap inside frame hanger and bolt to cross member. Tighten to 15 ft-lbs.



### Step 9

Remove jacks and supports from frame and axles.

If you have any questions regarding installation procedure or have difficulty with any of the install steps, please give us a call at **574-293-1581** or email **parts@morryde.com**.



Above. Beyond. Always.

574.293.1581 • MORryde.com