

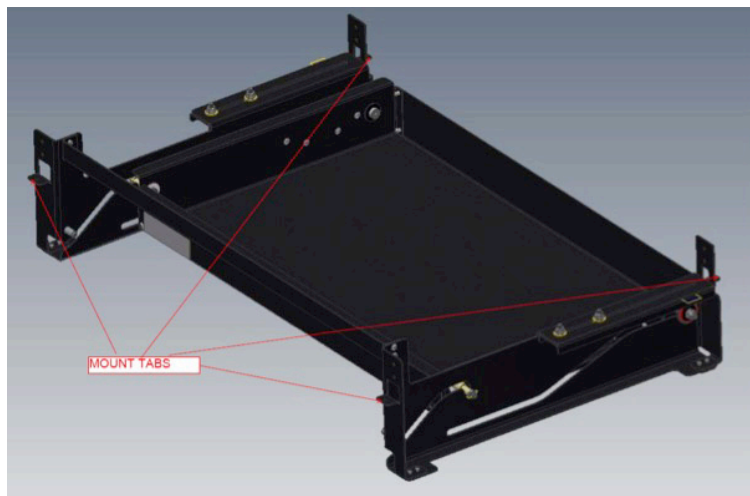


Above. Beyond. Always.

HIDDEN STORAGE CARGO TRAY INSTALLATION INSTRUCTIONS

NOTE: This tray will be installed between the first frame tube closest to the door opening and another frame tube that is between 20"-26" back from the first tube.

1. Ensure that the storage drawer will clear any obstructions and be able to be pulled through the door opening before installation.
2. Lift the storage drawer up to the framing making sure that the tray is as close to the door as possible and screw in the tabbed sections of the tray rails to the underside of the trailer frame tubes to hold the tray in place.



3. With the tray held up to the frame, proceed to screw in the tray rails to the vertical sections of the tube.

