

# MOR/ryde Triple Axle RE Pre Installation Qualification

(The MOR/ryde RE system is designed for straight axles w/double eye 1-3/4" wide x 26" long leaf springs)

Customer Name \_\_\_\_\_ Phone \_\_\_\_\_

Coach Brand and Model \_\_\_\_\_ E-mail \_\_\_\_\_

Model Year \_\_\_\_\_ Gross Axle Weight Rating (GAWR) 5,200#, 6000# or 7000# ?

Record all measured linear dimensions in inches.

Type of Frame Rail (Check one)

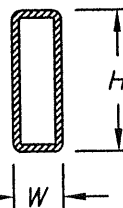
Rectangular Tube \_\_\_\_\_

"I" Beam \_\_\_\_\_

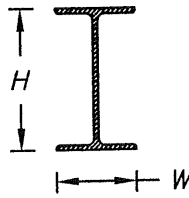
"C" Channel \_\_\_\_\_

Other \_\_\_\_\_

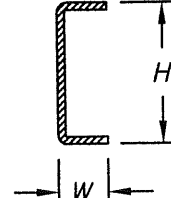
Rectangular Tube



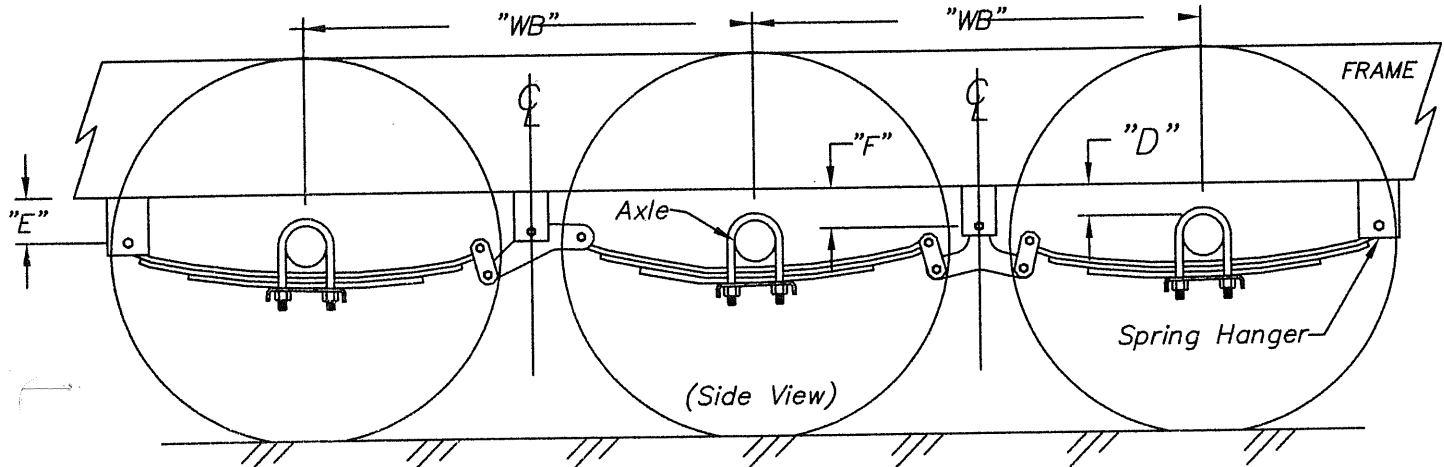
"I" Beam



"C" Frame



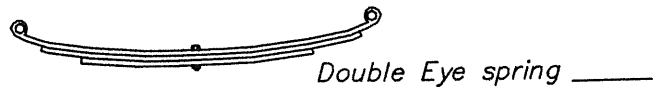
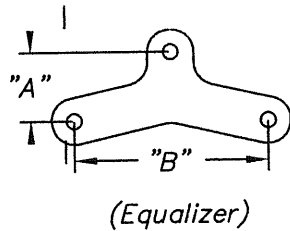
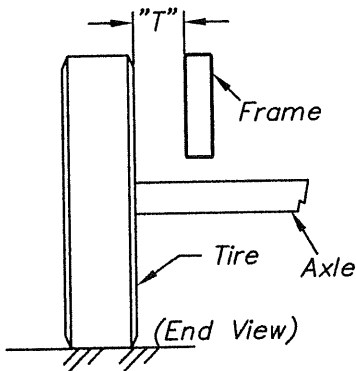
Frame Height H = \_\_\_\_\_ Frame Width W = \_\_\_\_\_



"D" Dimension "D" = \_\_\_\_\_ (Top of Axle to bottom of Frame)

Wheel Base "WB" = \_\_\_\_\_ ; Distance from outside edge of frame to tire side wall "T" = \_\_\_\_\_

Front spring hanger dimension "E" = \_\_\_\_\_ Center spring hanger dimension "F" = \_\_\_\_\_



Vertical distance between holes on Equalizer "A" = \_\_\_\_\_ ; Horizontal distance "B" = \_\_\_\_\_

Is the axle above the leaf spring? Yes \_\_\_\_\_ No \_\_\_\_\_

Are Spring Eye Bolts equipped with grease zerks? Yes \_\_\_\_\_ No \_\_\_\_\_

Tire size and brand \_\_\_\_\_

Inspectors Name \_\_\_\_\_

Phone Number \_\_\_\_\_

Fax Number \_\_\_\_\_

By: TM 4/2002