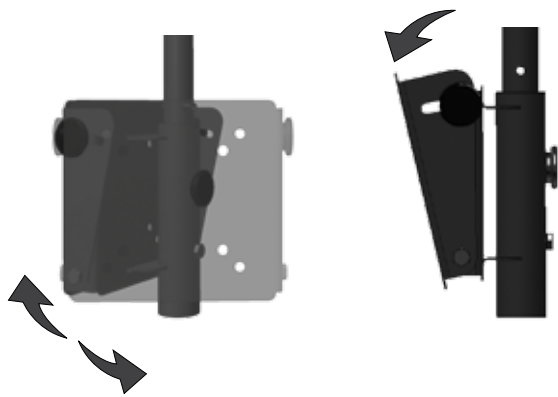


- ▶ FITS FLAT PANEL TVS WITH VESA MOUNTING PATTERNS: 75x75 OR 100x100
- ▶ RATED FOR 25LB CAPACITY
- ▶ TILT & SWIVEL ADJUSTMENT
- ▶ LOCKS IN PLACE



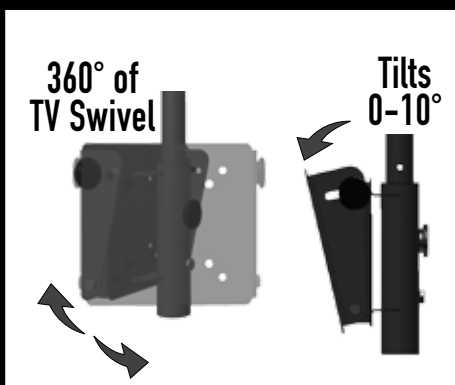
Extended for larger light-weight screens



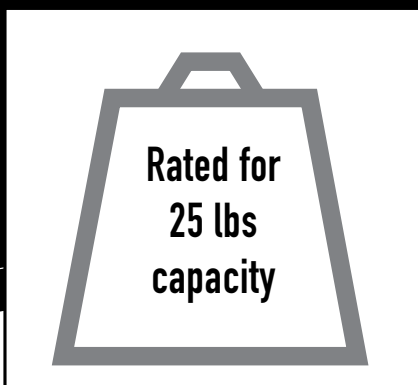
*This mount is excellent for under-cabinet installation or reinforced ceilings.**

EXTENDED CEILING TV MOUNT for SMALL & MEDIUM LCD Flat Panel TVs

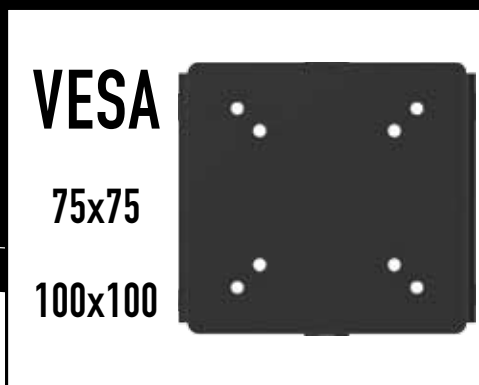
TV1-022H



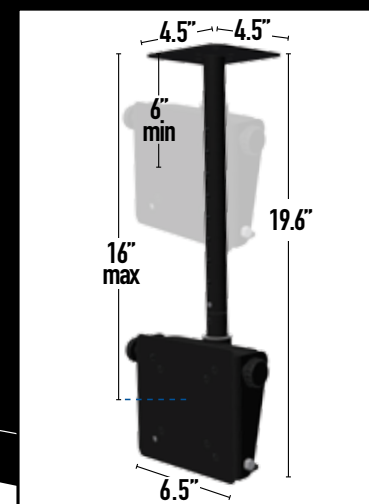
Range of Motion



Weight Capacity



VESA Hole Pattern



Dimensions

**Structure must be reinforced - the size and weight of your television plus the weight of the mount must be properly supported. MOR/ryde is responsible for the design and manufacturing of our parts; we are not responsible for the structure it is mounted to. Please see installation instructions for further information.*

PACKAGE CONTENTS:

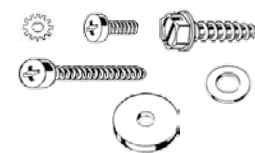
VESA Adapter Plate

Mounting Base

Base Extension

Mounting Hardware

TV1-022H



Instructions

