

# MOR/ryde Pin Box Identification Guide

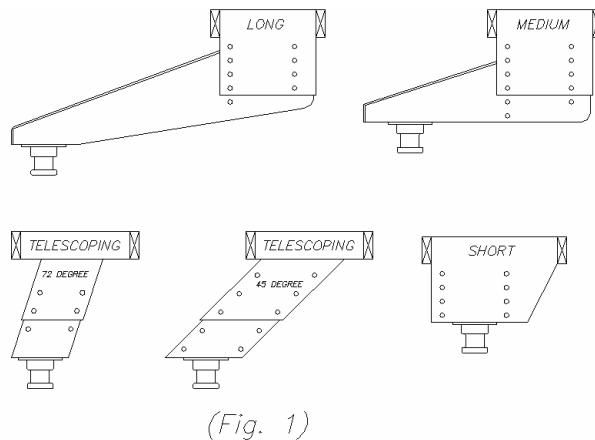
## Trailer Information

Make: \_\_\_\_\_ Model: \_\_\_\_\_ Year: \_\_\_\_\_ Total Trailer Weight: \_\_\_\_\_ lbs.

Customer Name: \_\_\_\_\_ Phone Number: \_\_\_\_\_

## What type of Pin Box do you have?

- A. Look on the pin box to locate the manufacturer's label. Common manufacturers are: Atwood, Fabex, Leland, Lippert, RBW, Venture and Young's Welding. Mfg : \_\_\_\_\_
- B. After locating the label, locate the model/part number. Example: Leland P/N AF 7910. P/N : \_\_\_\_\_
- C. If a manufacturer's label can not be located, get the last six digits of the coach serial number, call the coach manufacturer and ask them what make and model pin box was installed on your coach.
- D. If you are unsuccessful in acquiring the information above get the following measurements and a MOR/ryde representative will help in determining which pin box you need.



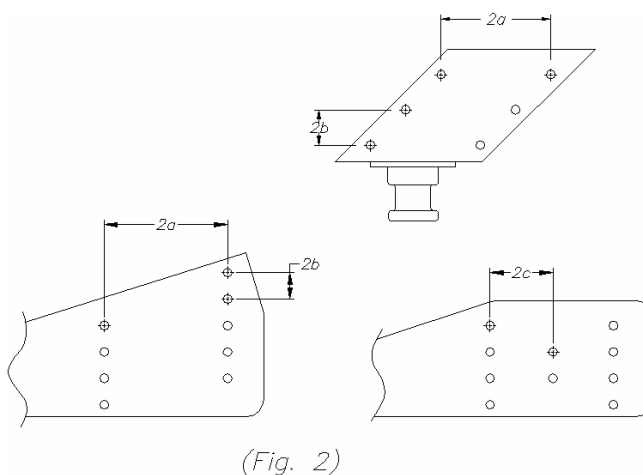
## Pin Box Measurements

1. What style of pin box do you have? (Fig. 1) (circle one)

Long, Medium, Telescoping (34°/45°/72°), Short

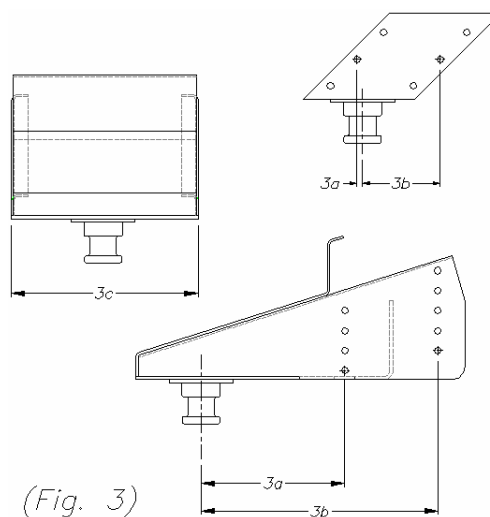
2. Measure the bolt hole pattern. (Fig. 2)

- \_\_\_\_\_ 2a: Horizontal distance between the rows of bolts, measure from hole center to hole center.
- \_\_\_\_\_ 2b: Vertical distance from hole center to hole center.
- \_\_\_\_\_ 2c: If there are three rows of bolt holes, measure horizontal distance from hole center to hole center.
- \_\_\_\_\_ 2d: Bolt size.
- \_\_\_\_\_ 2e: Bolt head size.
- \_\_\_\_\_ 2f: Number of bolts per side.



3. Measure king pin center. (Fig. 3)

- \_\_\_\_\_ 3a: Measure from center of the front row of bolts to the centerline of the king pin. The telescoping and short style pin boxes may have the king pin located behind the front row of bolts. If the hole pattern is at an angle, use the centerline of the second lowest front hole to measure to the center of the king pin in the retracted position.
- \_\_\_\_\_ 3b: Measure from center of the rear row of bolt to centerline of the king pin.
- \_\_\_\_\_ 3c: Measure the overall width of the pin box.



4. Double check your measurements.

- \_\_\_\_\_ 3b - 3a = 2a Note: 3a is negative when the king pin is behind the first row of holes.

# MOR/ryde Pin Box Identification Guide

## MOR/ryde Rubber Pin Box (RPB) Measurement Chart

Identification Guide Questions		1	2a	2b	2c	2d	2e	2f	3a	3b	3c
MOR/ryde Pin Box	Replaces OEM	Style	Horz. Dist.	Vert. Dist.	Center Dist.	Bolt Size	Bolt Head Size	Bolts/side	Front row to KP	Back row to KP	Pin Box Width
RPB72-500	Fabex 500	Long	9 1/2	N/A	N/A	5/8	15/16	2	20	29 1/2	12 1/2
	Fabex 503	Long	9 1/2	2 1/2	N/A	5/8	15/16	2	18	27 1/2	12 1/2
RPB72-665	Fabex 665	Long	7 7/8	2	N/A	1/2	3/4	4	18	25 7/8	12
RPB72-765*	Fabex 765	Long	9 1/2	2	4 3/4	5/8	15/16	3	19 3/4	29 1/4	12 1/2
RPB72-770*	Fabex 770	Long	9 1/2	2	4 3/4	5/8	15/16	3	16 3/4	26 1/4	12 1/2
RPB72-7920*	Leland 7920	Long	7	1 1/2	N/A	1/2	3/4	6	18 7/16	25 7/16	14
RPB72-221002300	Leland 221-0023-00	Long	7	1 1/2	N/A	1/2	3/4	6	18 7/16	25 7/16	14
RPB72-7930	Leland 7930	Long	6	1 1/2	N/A	5/8	15/16	5	18 3/8	24 3/8	7 7/8
RPB72-1621/HD*	Lippert 1621	Long	7 7/8	2	N/A	5/8	15/16	5	17 3/4	25 5/8	12
RPB72-1716	Lippert 1716	Long	8 3/4	2 1/2	4 3/8	5/8	15/16	6	20 3/8	29 1/8	12 1/2
	RBW 7028	Long	9 1/2	2 1/2	N/A	5/8	15/16	2	20	29 1/2	12 1/2
RPB72-VL	Venture CJ13515, CJ13517	Long	8	1 1/2	N/A	1/2	3/4	6	18 1/2	26 1/2	12
RPB72-YWL	Youngs Welding	Long	9	3	N/A	3/4	1 1/8	4	19 3/4	28 3/4	12
RPB72-SEITZL18K	Seitz 18k	Long	9 1/2	2 1/2	N/A	3/4	1 1/8	4	19 1/2	29	12
RPB72-520	Fabex 520	Med.	9 1/2	2 1/2	N/A	5/8	15/16	2	13 3/8	22 7/8	12 1/2
	Fabex 530	Med.	9 1/2	2 1/2	N/A	5/8	15/16	2	11	20 1/2	12 1/2
RPB72-663	Fabex 663	Med.	7 15/16	2	N/A	1/2	3/4	6	9 3/16	17 1/8	12
RPB72-730	Fabex 730	Med.	9 1/2	2	4 3/4	5/8	15/16	3	8 3/4	18 1/4	12 1/2
RPB72-7910	Leland 7910	Med.	7	1 1/2	N/A	1/2	3/4	6	9 3/8	16 3/8	14
RPB72-1116*	Lippert 1116	Med.	8 3/4	2 1/2	4 3/8	5/8	15/16	6	14 1/2	23 1/4	12 1/2
RPB72-0719*	Lippert 0719	Med.	7 7/8	2	N/A	5/8	15/16	5	9	16 7/8	12
	RBW 7019	Med.	9 1/2	2	N/A	5/8	15/16	2	13	20 1/8	12 1/2
RPB72-VM	Venture CJ13515, CJ13517	Med.	8	1 1/2	N/A	1/2	3/4	6	10 5/8	18 5/8	12
RPB72-YWM	Youngs Welding	Med.	9	3	N/A	3/4	1 1/8	4	7 3/4	16 3/4	12
RPB72-QFFM888	Quality Frames & Fab	Med.	7 7/8	2	N/A	1/2	3/4	8	8 7/8	16 3/4	12
RPB72-AB34	Atwood AB-34 HD	34	9	2	N/A	1/2	3/4	4	1	10	12
RPB72-AB72	Atwood AB-72	72	7 7/8	2	N/A	1/2	3/4	4	-2 9/16	5 5/16	12
RPB72-316*	Fabex 300, 314, 316	45	7 1/8	2 1/16	N/A	5/8	15/16	5	- 1/8	7	8
RPB72-315	Fabex 315	45	7 1/16	2 1/8	N/A	5/8	15/16	5	- 1/8	6 15/16	9
RPB72-330	Fabex 330	45	7 1/8	2 1/16	N/A	5/8	15/16	5	11 9/16	18 11/16	8
RPB72-316*	Lippert 0516	45	7 1/8	2 1/16	N/A	5/8	15/16	5	- 1/8	7	8
RPB72-7016	RBW 7016-2P	72	7 3/16	1 15/16	N/A	3/4	1 1/8	2	- 7/8	6 1/4	12
RPB72-7027	RBW 7027	45	7 1/8	2 1/16	N/A	1/2	3/4	5	- 1/8	7	8
RPB72-YW45	Youngs Welding	45	7 11/16	2 7/8	N/A	5/8	15/16	4	1 5/16	9	8
RPB72-560	Fabex 560	Short	9 1/2	N/A	4 3/4	5/8	15/16	3	1 1/2	11	12 1/2
RPB72-660	Fabex 660	Short	7 7/8	2	N/A	1/2	3/4	6	-3 15/16	3 15/16	12
RPB72-7900	Leland 7900	Short	7	1 1/2	N/A	1/2	3/4	6	-3 1/2	3 1/2	14
RPB72-0115	Lippert 0115	Short	8 3/4	2 1/2	4 3/8	5/8	15/16	6	2 1/4	11	12 1/2
	Venture	Short	8	1 1/2	N/A	1/2	3/4	6	-4	4	12
RPB72-6640-1	Youngs Welding 6640-1	Short	10	3	N/A	5/8	15/16	4	4 7/8	14 7/8	8 1/2
RPB72-52751	Youngs Welding 52751	Short	10	3	N/A	5/8	15/16	4	2 5/8	12 5/8	14
RPB72-YW0	Youngs Welding	Short	5 1/2	3	N/A	9/16	13/16	4	-2 3/4	2 3/4	8

\*Meets CSA testing requirements.

\*\*Adapter kit RPB77-001 is required for MOR/ryde RPB to be used with PullRite SuperGlide hitch.