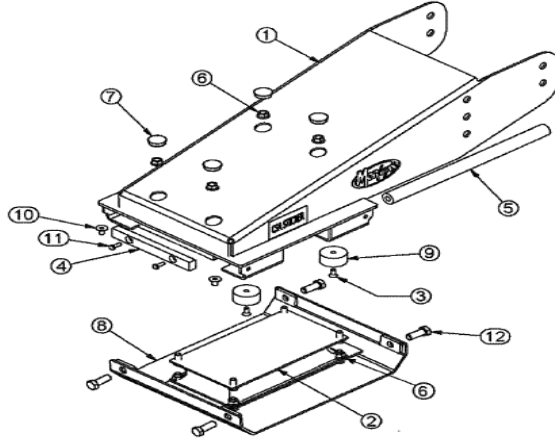


# Goose Neck Adaptor Installation Instructions



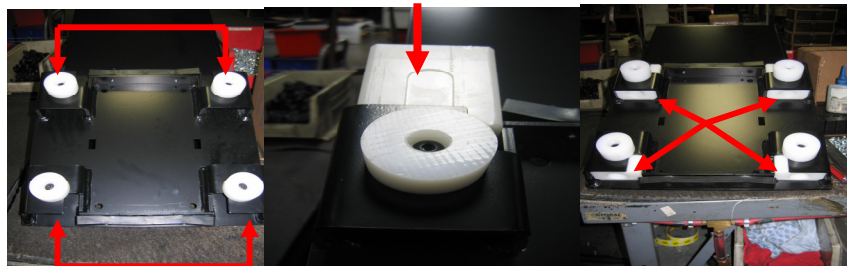
Parts List		
ITEM	QTY	DESCRIPTION
1	1	UPPER MOUNTING ASSEMBLY
2	1	SHEAR SPRING
3	4	5/16-18 BUTTONHEAD BOLT
4	2	RUBER COMPRESSION BUMPER
5	2	RETAINMENT ROD
6	8	7/16-14 FLANGE NUT
7	4	ACCESS PLUG
8	1	LOWER SKID PAD ASEMBLY
9	3	GLIDE PAD/DISC
10	2	5/16-18 T-NUT
11	4	1/4-20 SELF TAPPING SCREW
12	4	9/16-12 BOLT

Tool List	
13/16 SOCKET	
11/16 SOCKET & 11/16 WRENCH	
BLUE LOC-TITE	
TORQUE WRENCH	
VICE GRIPS	

- 1) Support the king pin (example: tripod jack, hitch in truck).
- 2) Remove the 4 retainment rod bolts by securing retainment rod with vice grips (#12).
- 3) Remove the 4 rubber plugs in the top of the box (#7)
- 4) Remove the 4 nuts holding on the rubber springs (#6)
- 5) Your skid pad assembly (#8) is now separated from the pin box
- 6) Remove the 4 nuts that are holding the rubber spring to the skid pad (#6)
- 7) Re install the rubber spring (#2) on the new skid pad assembly



- 8) Install the Stability Pads in the tube of the upper mounting assembly (1)



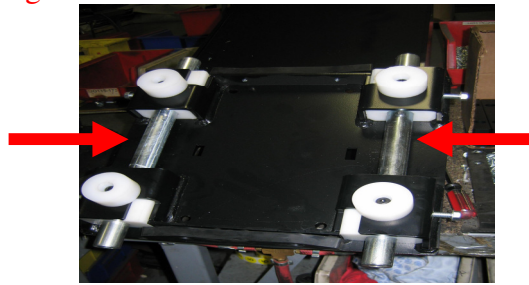
- 9) Ensure the slotted area of the block is pointed in toward the glide pad/disc (center picture)

# Goose Neck Adaptor Installation Instructions Page 2

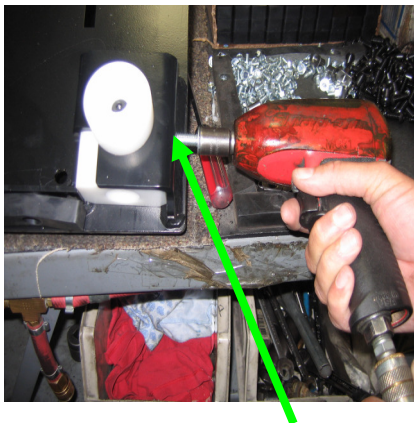
(10) Install (do not tighten) 1" Hex washer thread rolling bolts (4 pcs provided)



11) Replace the retaining rods



12) Tighten the 1" Hex washer thread rolling bolts

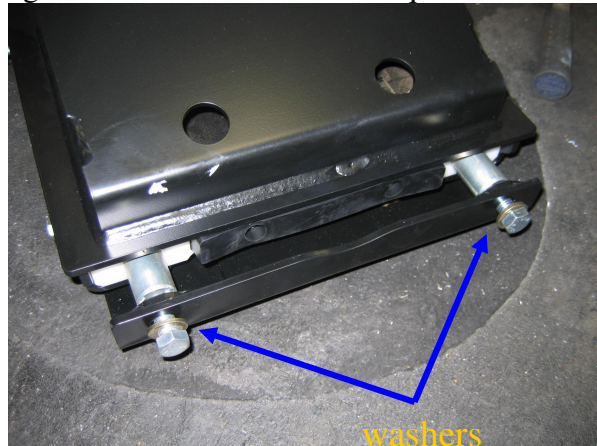


## **Goose Neck Adaptor Installation Instructions Page 3**

- 13) Replace the Skid Pad assembly and replace the retaining rod bolts



- 14) Replace retaining rod bolts w/washers and torque to 90 ft lbs.



### **CAUTION:**

The addition of a Goose Neck adaptor on the Fifth Wheel Hitch may cause damage to the frame structure and in many cases voids the frame warranty.

MOR/ryde will not be responsible for any damages caused by the use of the fore mentioned product. This adaptor kit was designed to allow the use of the MOR/ryde Rubber Pin Box with the goose neck adaptor without damaging the pin box.